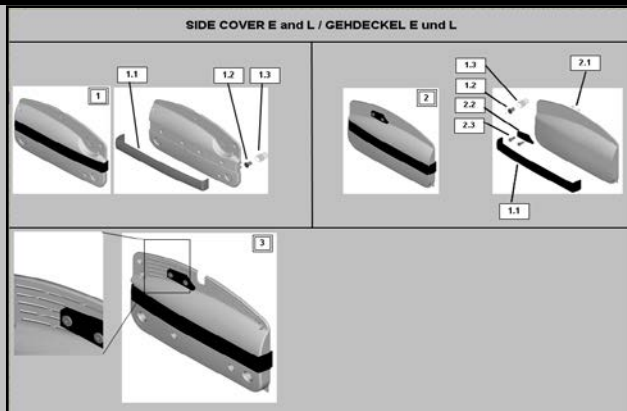
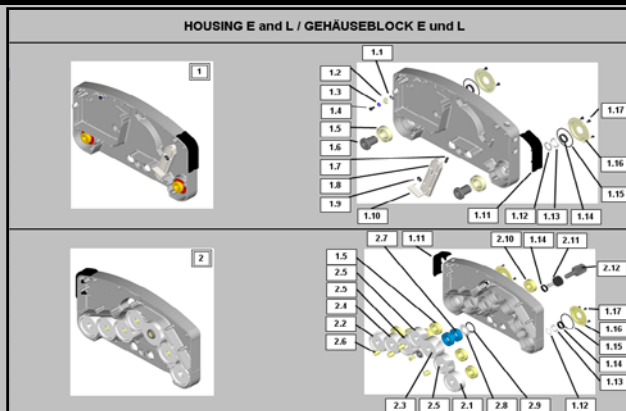


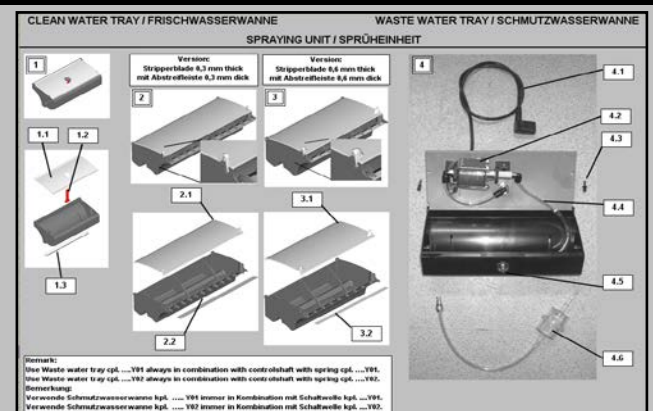
TABLE OF CONTENTS



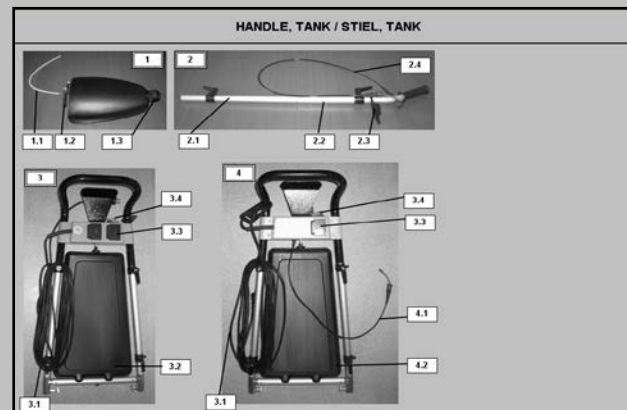
Version 08.01.09
72330 Side cover E and L



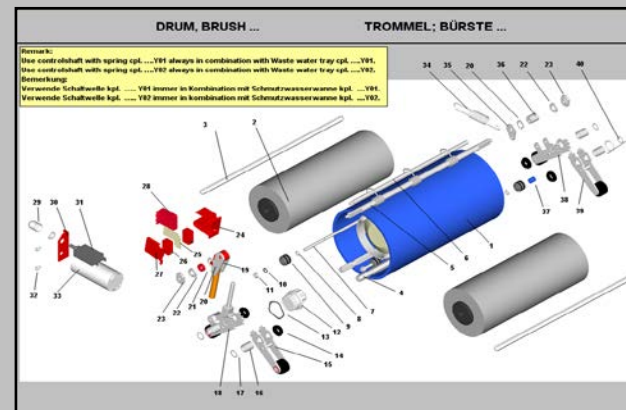
Version 09.01.09
72370 Housing E and L



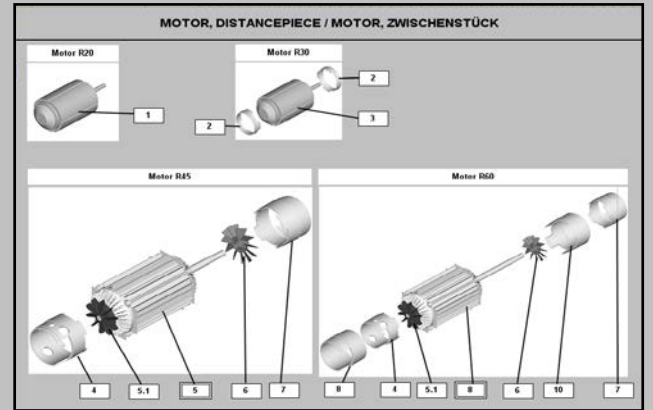
Version 21.01.09
72314 C+W wasser wanne + spraying unit
72314 F+S Wasserwanne + Sprüheinheit



Version 20.01.09
72639 Handle, Tank



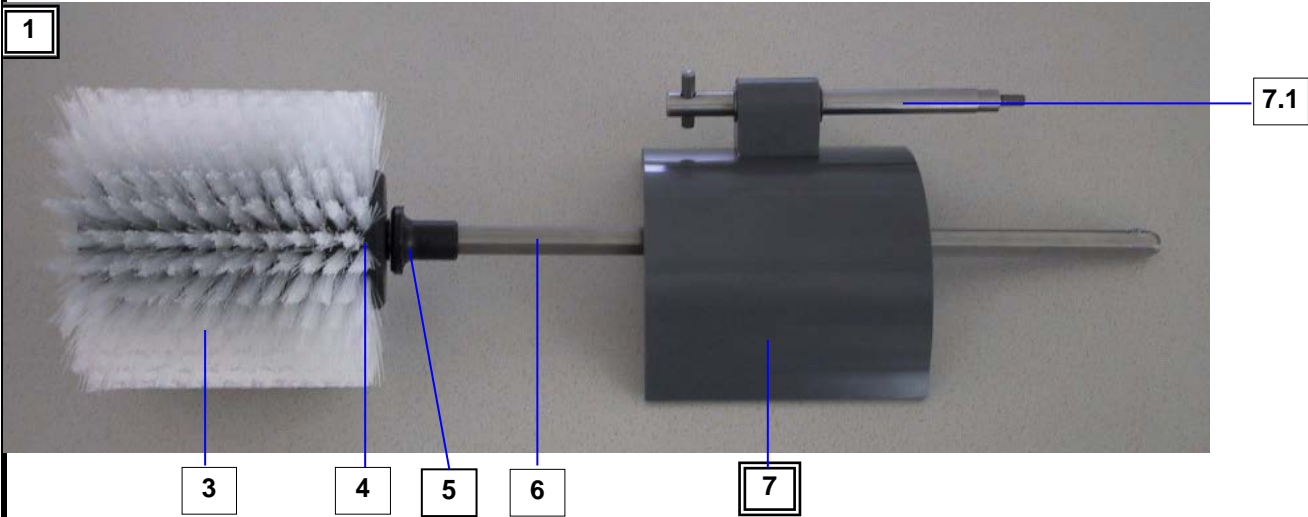
Version 13.01.09
72444 Drum, Brush ...



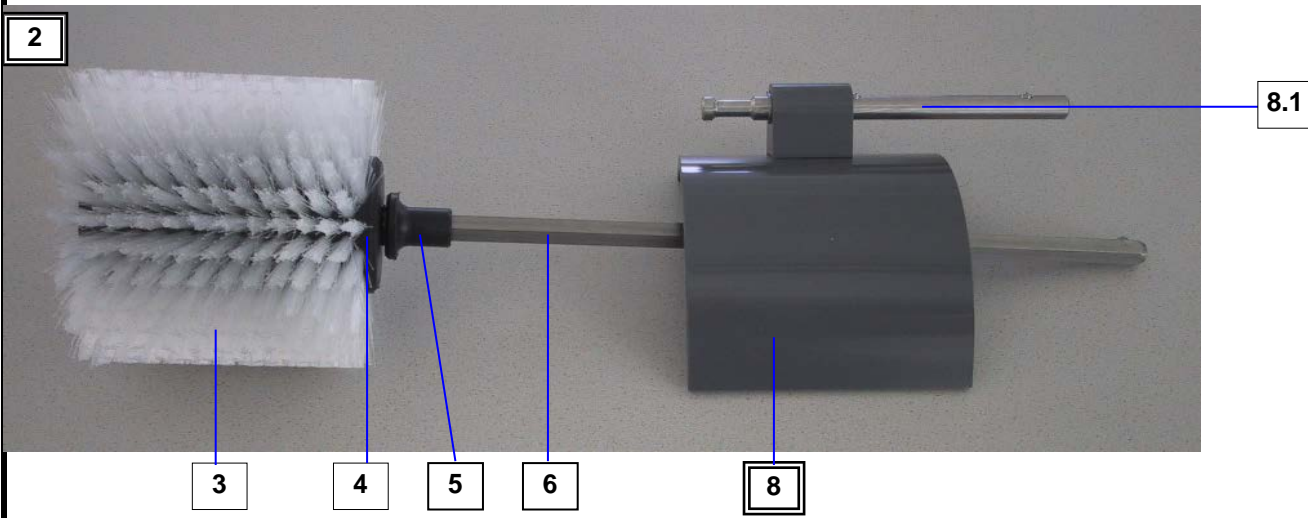
Version 19.01.09
72492 Motor, Distancepiece

SIDEBRUSH

1



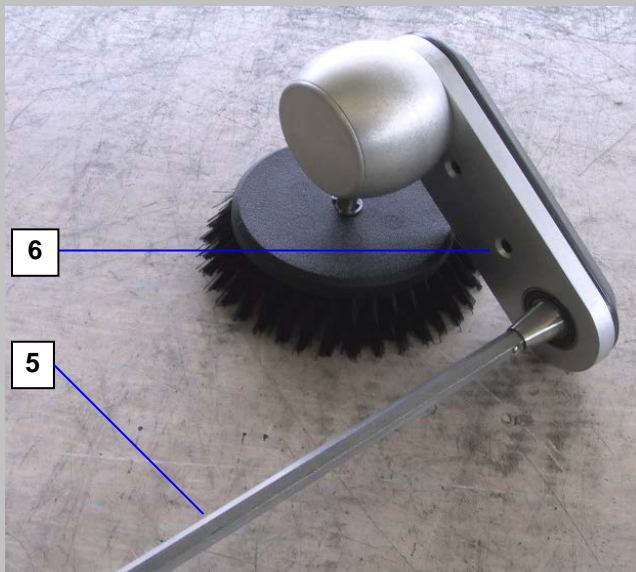
2



ITEM NO	Description:	Part. No.	
1	Sidebrushkit R2 old Version	777Y01	
1	Sidebrushkit R3 old Version	778Y01	
1	Sidebrushkit R4 old Version	779Y01	
1	Sidebrushkit R5 old Version	795Y01	
2	Sidebrushkit R2/ R20 new Version	777Y02	
2	Sidebrushkit R3/ R30 new Version	778Y02	
2	Sidebrushkit R4 new Version	779Y02	
2	Sidebrushkit R5 new Version	795Y02	
2	Sidebrushkit R45 new Version	1650Y01	
2	Sidebrushkit R60 new Version	1651Y01	
3	Sidebrush 0,30 110	148B01	
3	Sidebrush 0,50 110	159B01	
4	Toothring SW10	113N01	
5	Flange f. sidebrush	267K01	
6	Sidebrush axle R2/ R20 cpl.	735Y01	
6	Sidebrush axle R3/ R30 cpl.	736Y01	
6	Sidebrush axle R4 cpl.	737Y01	
6	Sidebrush axle R5 cpl.	738Y01	
6	Sidebrush axle R45 cpl.	1648Y01	
6	Sidebrush axle R60 cpl.	1649Y01	
7	Sidebrush cover Rotowash cpl.	668Y01	
7.1	Axle 10x132 cpl.	848Y01	
8	Sidebrush cover Rotowash cpl.	668Y02	
8.1	Axle 10x140 cpl.	874Y01	

CORNER BRUSH

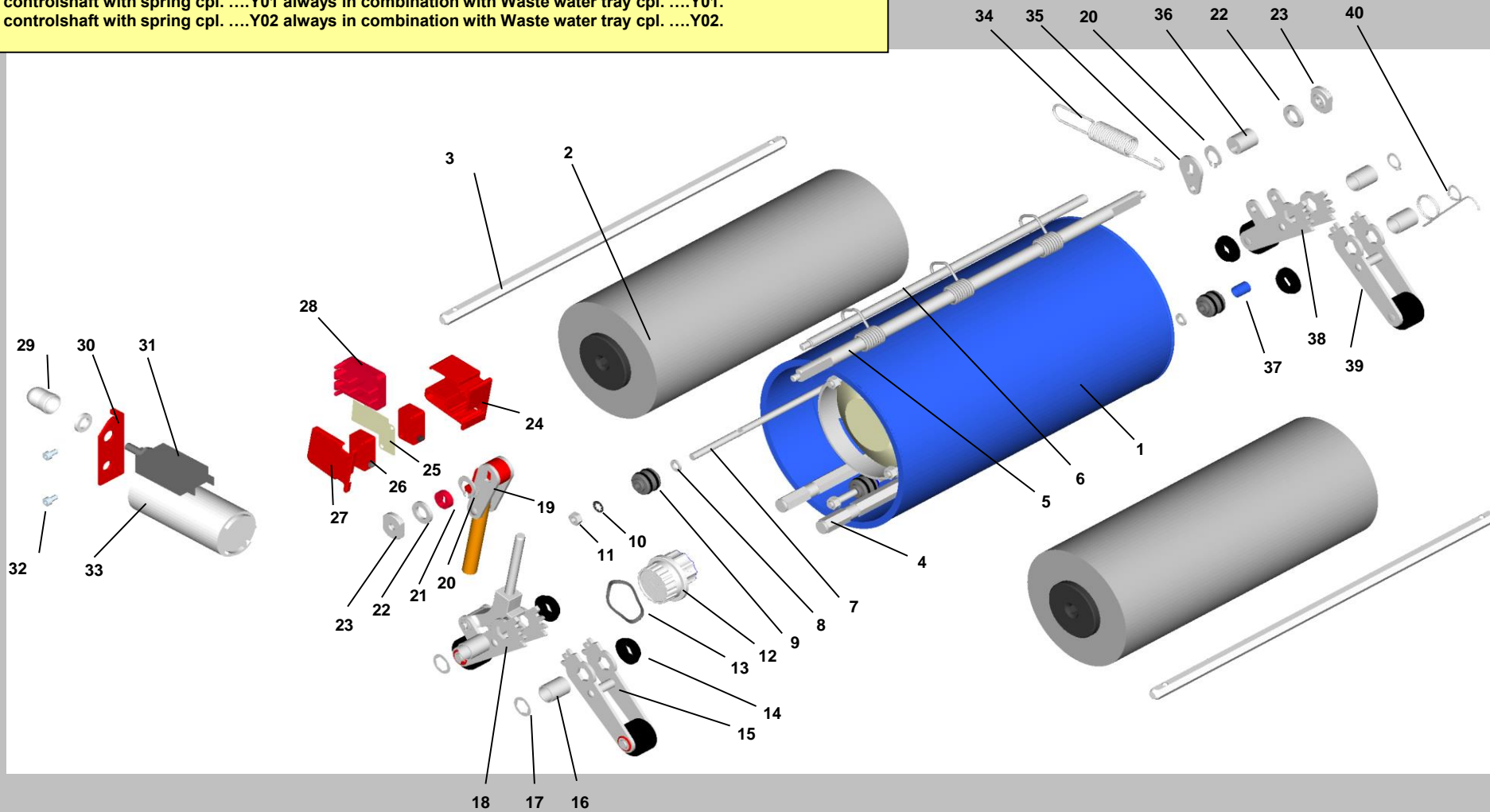
FOTOS - PICTURES



#	Description:	Part. No.	
0	Cornerbrush	1038Y05	
1	Belt cover	1K15601	
3	Gear belt 350-5M-05	1N18101	
4	Disc brush	1B11401	
	Brushaxle sidebrush R2/R20 cpl.	1031Y01	
5	Brushaxle sidebrush R3/R30 cpl.	1032Y01	
5	Brushaxle sidebrush R4 cpl.	1033Y01	
5	Brushaxle sidebrush R5 cpl.	1034Y01	
5			
5	Brushaxle sidebrush R45 cpl.	1646Y01	
5			
5	Brushaxle sidebrush R60 cpl.	1647Y01	
5			
6	Screw 40x16	1N14701	

DRUM, BRUSHES, Affiliated Parts

Remark:
Use controlshaft with spring cpl.Y01 always in combination with Waste water tray cpl.Y01.
Use controlshaft with spring cpl.Y02 always in combination with Waste water tray cpl.Y02.



Item #	Description:	Part. No.	
1	Drum R20	1327Y01	
1	Drum R30	1328Y01	
1	Drum R45	1329Y01	
1	Drum R60	1330Y01	
2	Soft Brush R20 0,25 110	189B01	
2	Standard Brush R20 0,35 110	201B01	
2	Escalator Brush R20 0,35 stepped 110	209B01	
2	Soft Brush R30 0,25 110	190B01	
2	Standard Brush R30 0,35 110	202B01	
2	Escalator Brush R30 0,35 stepped 110	210B01	
2	Scrubbing Brush R30 0,65 110	234B01	
2	Polishing Brush R30 0,18 110	235B01	
2	Soft Brush R45 0,25 110	191B01	
2	Standard Brush R45 0,35 110	205B01	
2	Escalator Brush R45 0,35 stepped 110	207B01	
2	Scrubbing Brush R45 0,65 110	236B01	
2	Polishing Brush R45 0,18 110	237B01	
2	Soft Brush R60 0,25 110	192B01	
2	Standard Brush R60 0,35 110	206B01	
2	Escalator Brush R60 0,35 stepped 110	208B01	
2			
3	Brushaxle R2/R20 alu cpl.	159Y01 *	
3	Brushaxle R3/R30 alu cpl.	160Y01 *	
3	Brushaxle R45 steel cpl.	1412Y01	
3	Brushaxle R60 steel cpl.	1413Y01	
4	Hexagon shaft R2/ R20 alu	139D01 *	
4	Hexagon shaft R3/ R30 alu	140D01 *	
4	Hexagon shaft R45 alu	424D02	
4	Hexagon shaft R60 alu	425D02	
5	Controlshaft R20 with spring cpl.	1331Y01	
5	Controlshaft R30 with spring cpl.	1332Y01	
5	Controlshaft R45 with spring cpl.	1333Y01	
5	Controlshaft R60 with spring cpl.	1334Y01	
6	Springsupport bar R20 (see remark)	420D01	
6	Springsupport bar R30 (see remark)	421D01	

rotowash

Rx redesign
SPARE PARTS - ERSATZTEILE

Dokument - document: #72444

Version: 04.06.09

Seite - Page: 3 von 4

6	Springsupport bar R45 (see remark)	422D01	
6	Springsupport bar R60 (see remark)	423D01	
6	Springsupport bar R20 (see remark)	420D02	
6	Springsupport bar R30 (see remark)	421D02	
6	Springsupport bar R45 (see remark)	422D02	
6	Springsupport bar R60 (see remark)	423D02	
7	Set screw R2/ R20	214N01 *	
7	Set screw R3/ R30	215N01 *	
7	Set screw R45	387N01	
7	Set screw R60	388N01	
8	Washer M6 A2	110N01 *	
9	Guide roller with O-rings	203Y01 *	
10	Lockwasher M6 A2	115N01 *	
11	Nut M6 A2	120N01 *	
12	Heightcontrol knob cpl.	550Y02 *	
13	Washer	192N01 *	
14	Bush SW12x20	164K01 *	
15	Transportrollerunit 3t R20-60 cpl.	1521Y01	
16	Spacer 16x14x20 alu	109D01 *	
17	Snapring A12x1 A2	202N01 *	
18	Transportrollerunit 4t lever R20-60 cpl.	1523Y01	
19	Lever tube ass.	471Y01 *	
20	Snapring G12	186N01 *	
21	Spacer 16x5	107K01 *	
22	Washer M6x1,6 A2	111N01 *	
23	Knurled nut	138D04 *	
24	Microswitchhousing	173K01 *	
25	Isolationplate 52x0,30	108E01 *	
26	Microswitch 1005.1116	165E01 *	
27	Lid for microswitchhousing	109K01 *	
28	Terminal block holder	163K01 *	
29	Plastic cover cpl.	509Y01 *	
30	Mounting brace	167K01 *	
31	Thermorelay 4A	169E01 *	
31	Thermorelay 5A	170E01 *	
31	Thermorelay 10A	171E01 *	
32	Screw M4x8 A2	133N01 *	
33	Capacitor 10uF 450V	221E01 *	
33	Capacitor 12uF 450V	138E01 *	

rotowash

Rx redesign
SPARE PARTS - ERSATZTEILE

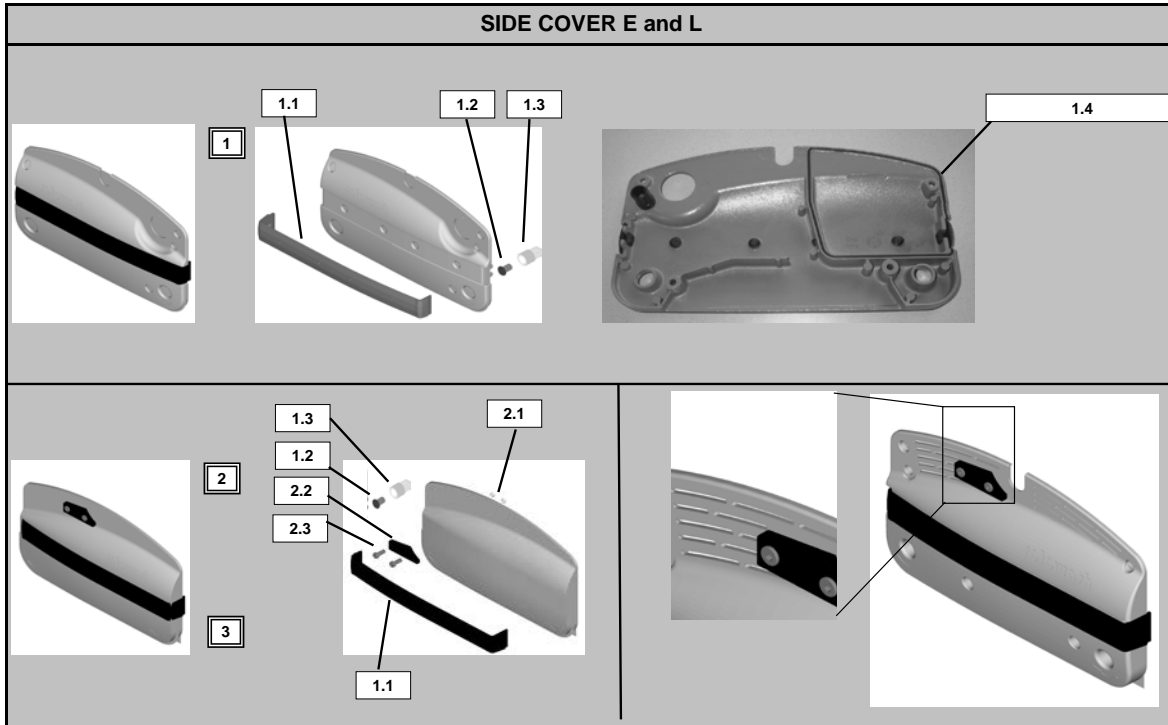
Dokument - document: #72444

Version: 04.06.09

Seite - Page: 4 von 4

33	Capacitor 16uF 450V	139E01 *	
34	Tensionspring 18x2,1x93	408N01	
35	Tension lever stainless cpl.	182Y02 *	
36	Spacer 16x19	108K01 *	
37	Tube blue 10x7 PA12 18mm	1223Y02 *	
38	Transportrollerunit 4t R20-60 cpl.	1522Y01	
39	Transportrollerunit 3t R20-60 cpl.	1519Y01	
40	Shankspring 1,5x75 A2	175N01 *	

* = This part is also used by R2 - R5 machines.

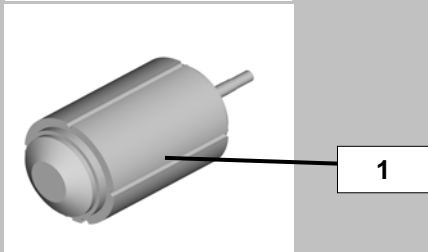


Item #	Description:	Part. No.
1	Side cover E with hole R20-60 saffron yellow cpl.	1477Y01
1.1	Sideprotector	208K02 *
1.2	Stopper	275K01 *
1.3	Bush for side brush	274K01 *
1.4	Sealingcord (When ordering advise the length required)	383N01
2	Side cover L R20/ R30 saffron yellow cpl.	1320Y01
2.1	Locknut NM6-B	1N10901
2.2	Locking block saffron yellow	432G01
2.3	Screw M6x16 A2	150N01 *
3	Side cover L R45/ R60 saffron yellow cpl.	1568Y01

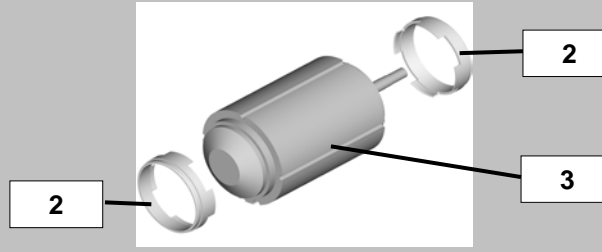
* = This part is also used by R2 - R5 machines.

MOTOR, DISTANCEPIECE

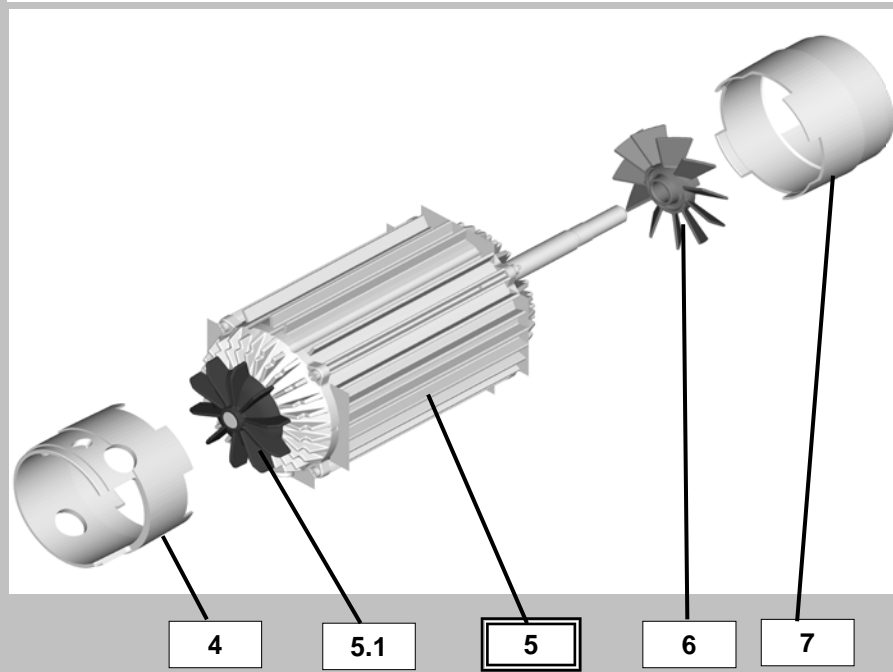
Motor R20



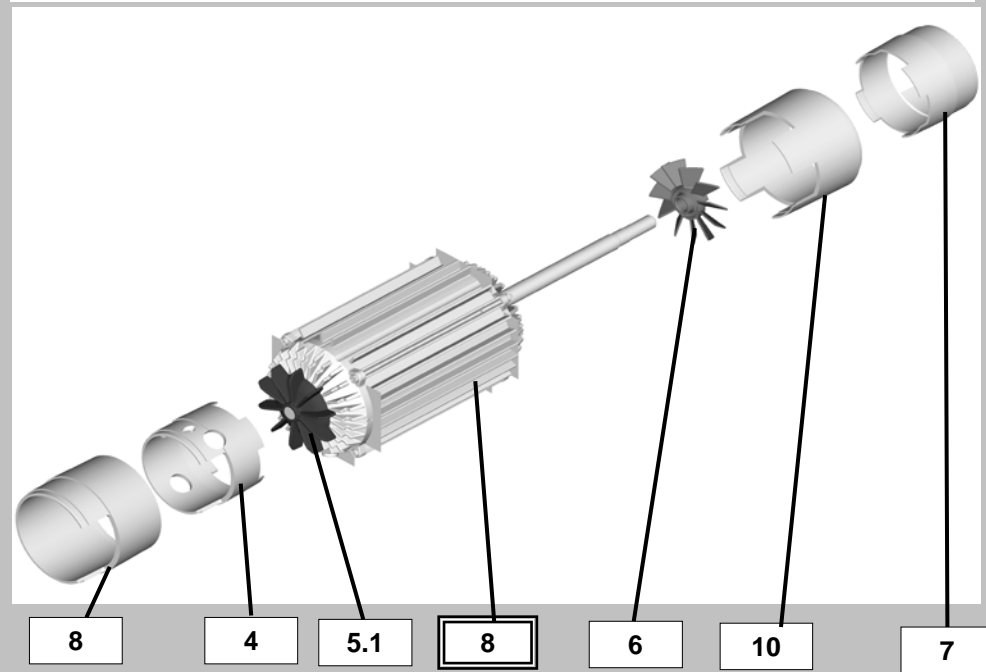
Motor R30



Motor R45

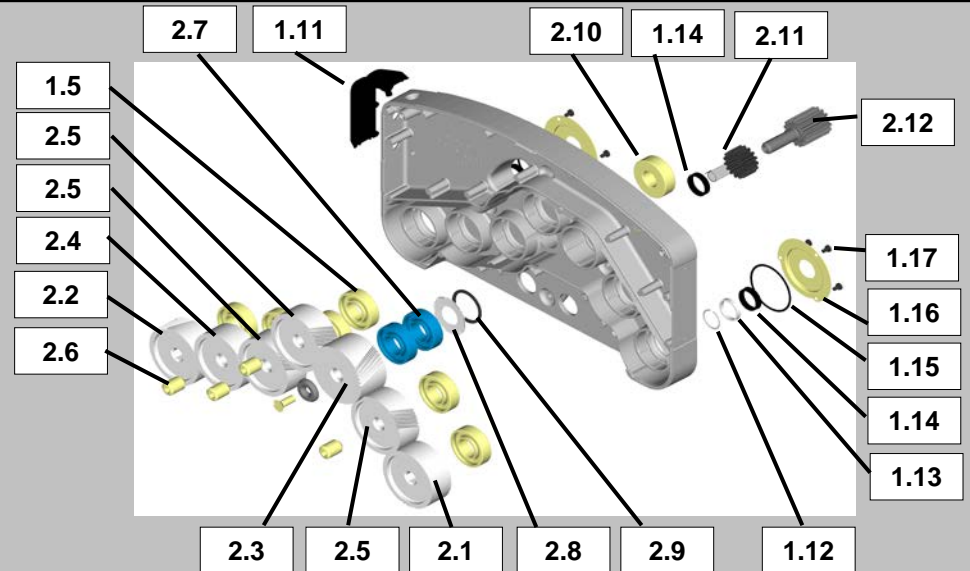
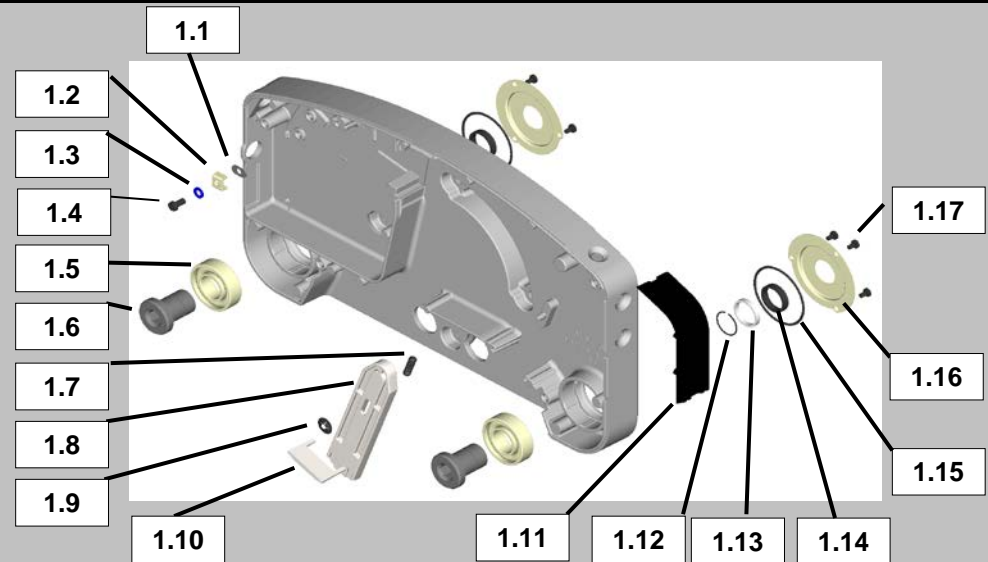
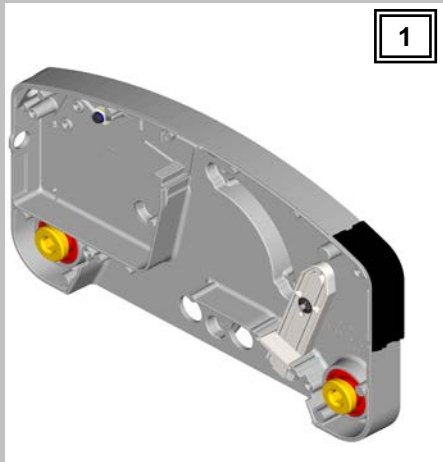


Motor R60



Item No	Description:	Part. No.	
1	Motor R20 230 V/ 50 Hz	186M01	
1	Motor R20 110 V/ 60 Hz	171M01	
2	Distancepiece R30	389G01	
3	Motor R3/R30 230 V/ 50 Hz with 11 teeth	140M02 *	
3	Motor R3/R30 110 V/ 60 Hz with 9 teeth	167M02 *	
4	Distancepiece E R45/R60	439G01	
5	Motor R45 230V/50Hz 11z BG71	1627Y01	
5.1	Ventilator	126M01 *	
6	Ventilator R45/60	390M01	
7	Distancepiece L R45/ R60	440G01	
8	Distancepiece E R60	441G01	
9	Motor R60 230/50Hz 11z BG71	1630Y01	
10	Distancepiece L R60	442G01	

HOUSING E and L



ITEM No	Description:	Part. No.
1	Housing unit E R20 11 tooth saffron yellow cpl.	1316Y01
1	Housing unit E R30 11 tooth saffron yellow cpl.	1471Y01
1	Housing unit E R45-60 11 tooth saffron yellow cpl.	1472Y01
1.1	Clamp strip	126T01 *
1.2	Clamp bracket	131E01 *
1.3	Lockwasher M4 A2	114N01 *
1.4	Schrew M4x8 A2	136N01 *
1.5	Ballbearing 6003 2RS	195N01 *
1.6	Flange SW10	279K03 *
1.7	Compressing spring 5x0,6x30	168N01 *
1.8	Adjuster slide	182K01 *
1.9	Clampdisc KS4	188N01 *
1.10	Pilot segment	361K01 *
1.11	Bumper	205K01 *
1.12	Snapping A17 16x1	206N01 *
1.13	Distance ring	347K01
1.14	V-Ring	218N01 *
1.15	O-Ring 41,00 x 1,78	384N01
1.16	Protective plate	1F14703 *
1.17	Screw M3x5	347N02 *
2	Housing unit E R20 11 tooth saffron yellow cpl.	1469Y01
2	Housing unit L R30 11 tooth saffron yellow cpl.	1314Y01
2	Housing unit L R45-60 11 tooth saffron yellow cpl.	1470Y01

2.1		Gear A	166D03
2.2		Gear B	167D03
2.3		Gear C	169D03
2.4		Gear D	171D03
2.5		Gear E	170D03
2.6		Wormscrew 12x16	182N01
2.7		Ballbearing S 6003 2RS Stainless	195N02
2.8		Bearing disc 35x18,8x0,6	107T02
2.9		Sealing ring	346K01
2.10		Ballbearing 6202 2 RS 15x35x11	394N01
2.11		Pinion R20-30 15z	419D01
2.12		Pinion R45-60 15z	412D01

HANDLE, TANK

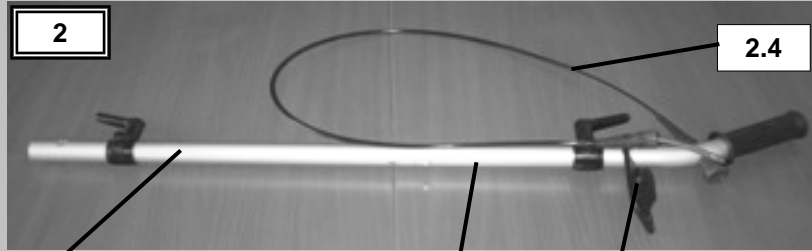


1

1.1

1.2

1.3



2

2.1

2.2

2.3

2.4



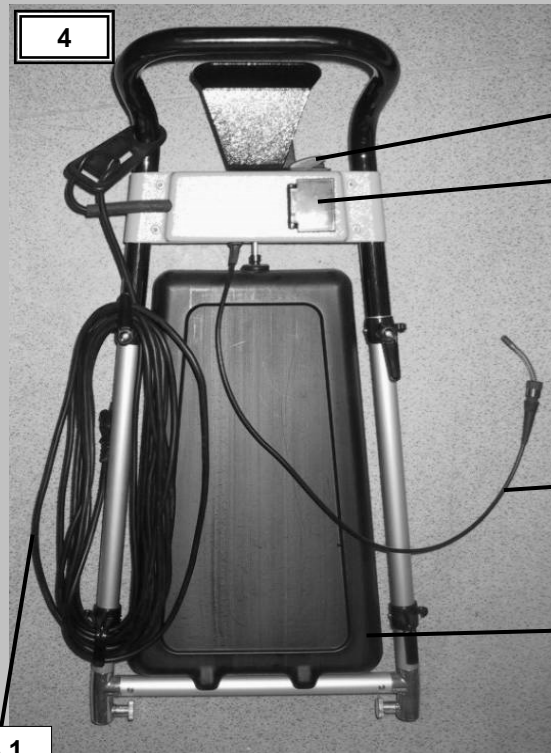
3

3.4

3.3

3.2

3.1



4

3.4

3.3

4.1

4.2

3.1

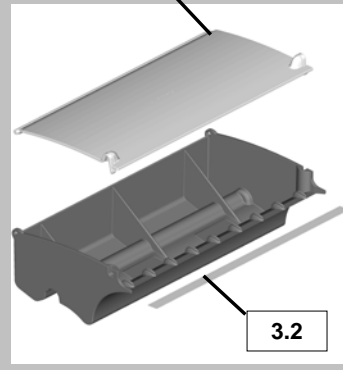
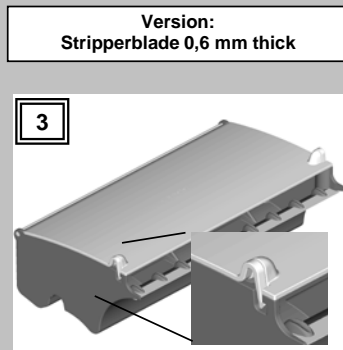
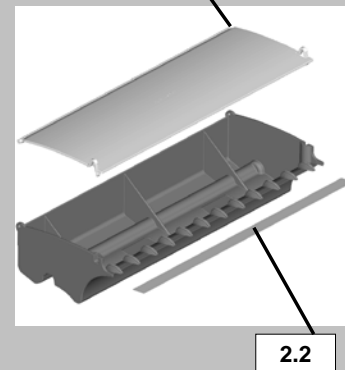
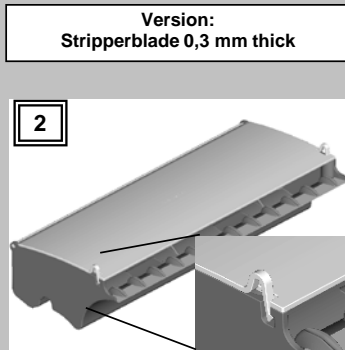
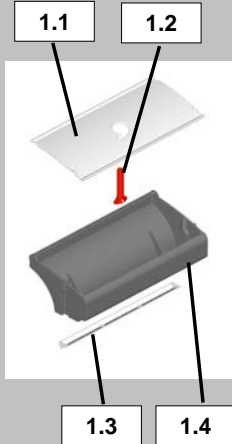
ITEM No	Description:	Part. No.	
1	Tank cpl. for Stickhandle	1285Y01	
1.1	Tube 8x6 mm 37 cm cpl.	1360Y01	
1.2	Quick fit Valve	344K02	
1.3	Tank cover	294K01	
2	Stick handle for tank cpl.	156Y05 *	
2.1	Stickhandle lower part cpl.	1410Y01 *	
2.2	Stickhandle upper part cpl.	1431Y01 *	
2.3	Cable safety (Easy mounting)	232K01 *	
2.4	Bowden control cpl.	158Y04 *	
3	Loop handle R30-60 B cpl.	on request	
3.1	Cable HO5VVF for Australia	121E02 *	
3.1	Cable SJT 3x16 AWG 110 Volt for UK, Japan, Taiwan, Korea	123E01 *	
3.2	Tank B black cpl	412Y03 *	
3.3	Protectionlid with plate	343K01	
3.4	Thermorelay 5 A witch switch red	334E01	
3.4	Thermorelay 10 A 110Vwitch switch green	336E01	
4	Loop handle R30-60 S cpl.	on request	
4.1	Bowdencontrol for loop handle cpl. x	1421Y01	
4.2	WaterTank S cpl	1361Y01	

* = This part is also used by R2 - R5 machines.

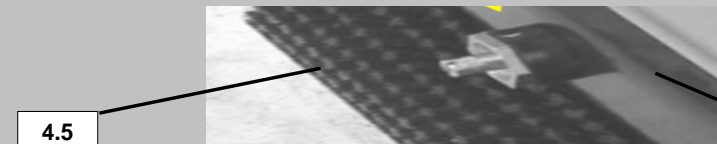
CLEAN WATER TRAY

SPRAYING UNIT

WASTE WATER TRAY



Remark:
Use Waste water tray cpl.Y01 always in combination with controlshaft with spring cpl.Y01.
Use Waste water tray cpl.Y02 always in combination with controlshaft with spring cpl.Y02.



ITEM No	Description:	Part No	
1	Clean water tray R20 black printed cpl.	1512Y05	
1	Clean water tray R30 black printed cpl.	1508Y05	
1	Clean water tray R45 black printed cpl.	1510Y05	
1	Clean water tray R60 black printed cpl.	1511Y05	
1.1	Lid Clean water tray R20	329K01	
1.1	Lid Clean water tray R30	330K01	
1.1	Lid Clean water tray R45	331K01	
1.1	Lid Clean water tray R60	332K01	
1.2	Watervalvetube	201K01	
1.3	Water distributor R20	339K01	
1.3	Water distributor R30	340K01	
1.3	Water distributor R45	341K01	
1.3	Water distributor R60	342K01	
1.4	Clean water tray R20 with water distributor	314K01	
1.4	Clean water tray R30 with water distributor	317K01	
1.4	Clean water tray R45 with water distributor	321K01	
1.4	Clean water tray R60 with water distributor	325K01	
2	Waste water tray R20 black cpl.	1513Y05	
2	Waste water tray R30 black cpl.	1507Y02	
2	Waste water tray R45 black cpl.	1514Y05	
2	Waste water tray R60 black cpl.	1515Y05	
2.1	Lid Waste water tray R20	310K02	
2.1	Lid Waste water tray R30	311K02	
2.1	Lid Waste water tray R45	312K02	
2.1	Lid Waste water tray R60	313K02	
2.2	Stripperblade R20 0,3 mm thick	332T01	
2.2	Stripperblade R30 0,3 mm thick	333T01	
2.2	Stripperblade R45 0,3 mm thick	334T01	
2.2	Stripperblade R60 0,3 mm thick	335T01	
3	Waste water tray R20 black printed cpl.	1513Y02	
3	Waste water tray R30 black printed cpl.	1507Y02	
3	Waste water tray R45 black printed cpl.	1514Y02	

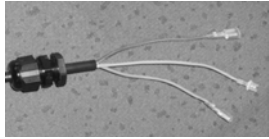
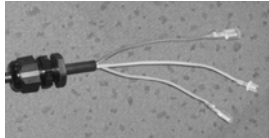
rotowash

Rx redesign
SPARE PARTS - ERSATZTEILE

Dokument - document: #72314

Version: 21.07.10

Seite - Page: 3 von 3

3	Waste water tray R60 black printed cpl.		1515Y02	
3.1	Lid Waste water tray R20		310K02	
3.1	Lid Waste water tray R30		311K02	
3.1	Lid Waste water tray R45		312K02	
3.1	Lid Waste water tray R60		313K02	
3.2	Stripperblade R20 0,6 mm thick		332T02	
3.2	Stripperblade R30 0,6 mm thick		333T02	
3.2	Stripperblade R45 0,6 mm thick		334T02	
3.2	Stripperblade R60 0,6 mm thick		335T02	
4	Spraying unit printed cpl.		on request	
4.1	Cable H05VVF3G 1,00 1,2 m cpl. R20		1355Y01	
4.1	Cable H05VVF3G 1,00 1,2 m cpl. ,3 cpl R30 - R60		1251Y01	
4.2	Pump 230V/ 50 Hz		1M10202 *	
4.2	Pump 110V/ 60 Hz		1M10301 *	
4.3	Plastic fastener 100 pieces		1N14601	
4.4	Tube 8x5 (Please by ordering information about the requested lenght)		550S01 *	
4.5	Jet 0,50 cpl. x		496Y01 *	
4.5	Jet 0,75 cpl. X		497Y01 *	
4.5	Jet 1,50 cpl. X		499Y01 *	
4.6	Tube 8x5x300 with filter cpl.		899Y03 *	
4.7	Pump tray R30 black printed		333K01	
4.7	Pump tray R45 black printed		334K02	
4.7	Pump tray R60 black printed		335K02	
4.7	Pump tray R45 black printed with jet holder (without jet)		1659Y01	
4.7	Pump tray R45 black printed with jet holder (without jet)		1660Y01	
4.8	Distance 26x20x10		370K01	

* = These Items also included in R2 - R5 machines